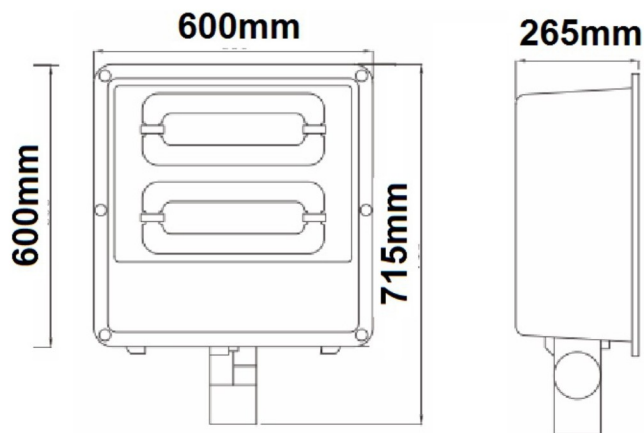


2X200W / 2X250W Induction Flood Light

Model No: ILFL



Model: ILFL-400-C2(2x200W)
ILFL-500-C2(2x250W)

Input : AC200-240V 50/60Hz

Lumens: 2x200W - 28000lm for CT 5000K
2x250W - 35000lm for CT 5000K

Size: See above Diagram

IP Rating: IP65



Adjustable Pole Mounting

Features of Induction Lamp:

- * Instant start up.
- * Lamp Life up to 80 to 100K hours
- * Non Mercury as using solid amalgam
- * No Flash and no glare
- * Power factor of >0.98
- * Dimmable to 50% (Optional)

